

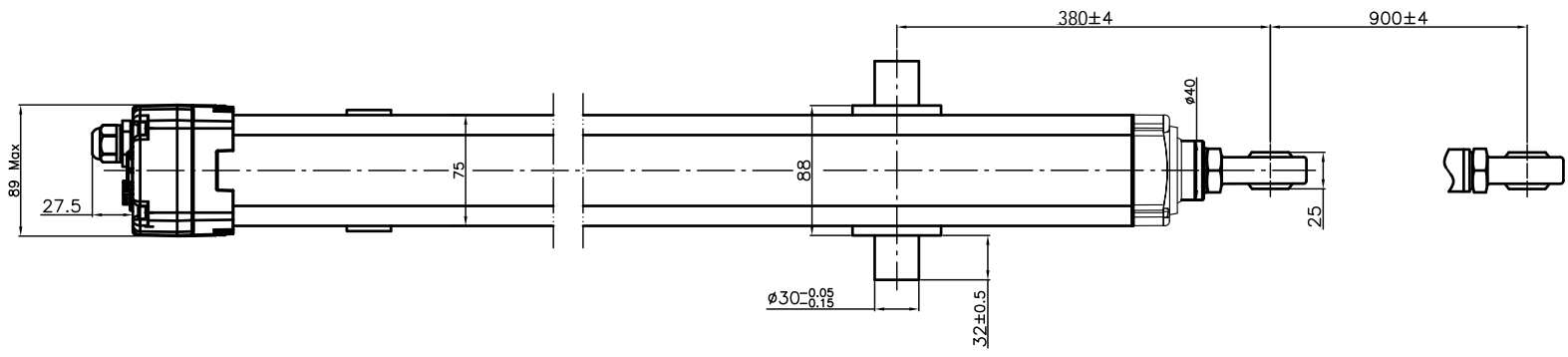
Hall signal line color correspondence table

a	red	24AWG	V+
b	green	24AWG	Hall1
c	brown	24AWG	Hall2
d	black	24AWG	V-

Wiring method		
	red	black
extend	+	-
retract	-	+

Parameters	
Voltage	24VDC
Speed at no load	2.4mm/s±10%
Current at no load	≤0.8 A
Current at full load	≤7A
Stroke	900
Min. retracted length	380
Load	10000N
Front attachment	ø20 Rod end joint
Motor attachment	2-ø30*32L
Cable	2wires,15AWG & 4wires, 24AWG
Cable length	1000mm
Connector	NO
Switch	Built-in
Hall	Hall*2

Label content



1. Single Hall pulse and displacement ratio for signal feedback:
89.085 pulse/mm, Hall supply voltage is 5-15V