

Linear actuators ILA Series

6.5 ORDERING CODE

ILA	25	A	Tr 30x6	C400	TS	SP	FC	
1	2	3	4	5	6	7	8.A	
gearbox ...								
9								
AC 3-phase motor 1.5 kW 4-pole 230/400 V 50 Hz IP 55 Ins. F								
10								

1	Actuator series ILA	
2	Actuator size 15, 25, 50, 100, 150, 200	pages 186 ... 189
3	Type of linear drive screw A - acme screw B - ball screw	pages 186 ... 189
4	Linear drive screw	pages 186 ... 189
5	Stroke code	
6	Front attachment TS - ball joint TF - hinged head	pages 190 ... 193
7	Rear attachment (without code) - pins SP - rear brackets	pages 190 ... 193
8	Stroke end switches FCP - inductive proximity switches	page 194
9	Input drive gearbox data	
10	Motor data	
11	Other specifications example: push rod in stainless steel AISI 304 example: lubricant for low temperature	
12	Filled in SELECTION DATA sheet	page 197
13	Application layout	

APPLICATION: _____

REQUIRED STROKE: _____ mm

REQUIRED LINEAR SPEED: _____ mm/s _____ mm/min _____ m/min TIME TO PERFORM 1 STROKE: _____ s

STATIC LOAD: PULL: _____ N PUSH: _____ N at STROKE _____ mm

DYNAMIC LOAD: PULL: _____ N PUSH: _____ N at STROKE _____ mm

ACTUATOR SUBJECTED TO VIBRATIONS NOT SUBJECTED TO VIBRATIONS

OPERATING: _____ cycle / hour _____ working hours / day Notes: _____

REQUIRED LIFETIME: _____ cycle _____ hours _____ calendar days Notes: _____

ENVIRONMENT: TEMPERATURE _____ °C DUST HUMIDITY _____ % AGGRESSIVE AGENT _____

Acme screw actuators **ILA . A Series** Ball screw actuators **ILA . B Series**

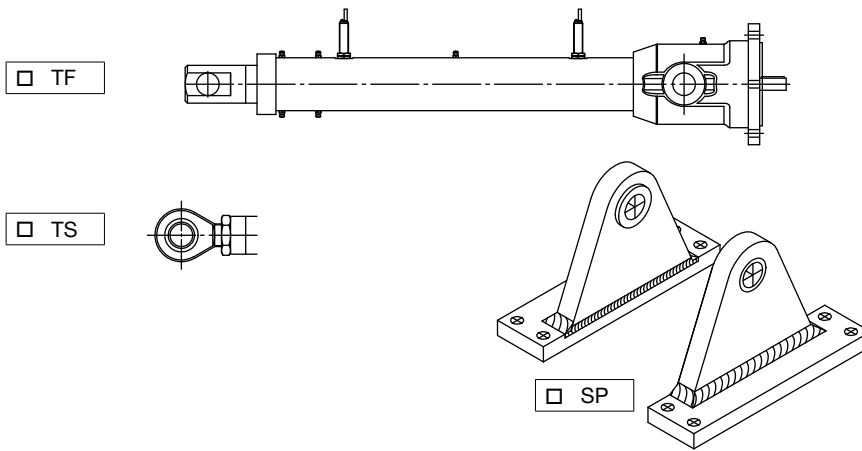
Size: 15 25 50 100 150 200

1-start acme screw

ball screw with STANDARD lead

2-start acme screw

ball screw with LONG lead



INPUT DRIVE _____

ELECTRIC MOTOR _____

ANTI-TURN DEVICE AR

SAFETY NUT MS

BELLOWS

PUSH ROD IN STAINLESS STEEL

OUTER TUBE IN STAINLESS STEEL

OTHER: _____