

LINACT-TRACK-600 Track Actuator

- Typical Applications: Indoor applications, TV Lift, Drop Down Video Camera, Drop Down Projector, Home Automation, Kitchen Automation, Sliding doors, sliding whiteboards & chalkboards, Custom cabinetry, TV Lift and many more.
- Standard Stroke length: 600mm (Custom lengths can be manufactured)



Mechanical Data

- Operating temperature -26°C~+65°C
- Standard Voltage: 24Vdc (12Vdc can be custom ordered)
- Built in Limit Switches
- Noise Level ±60dB

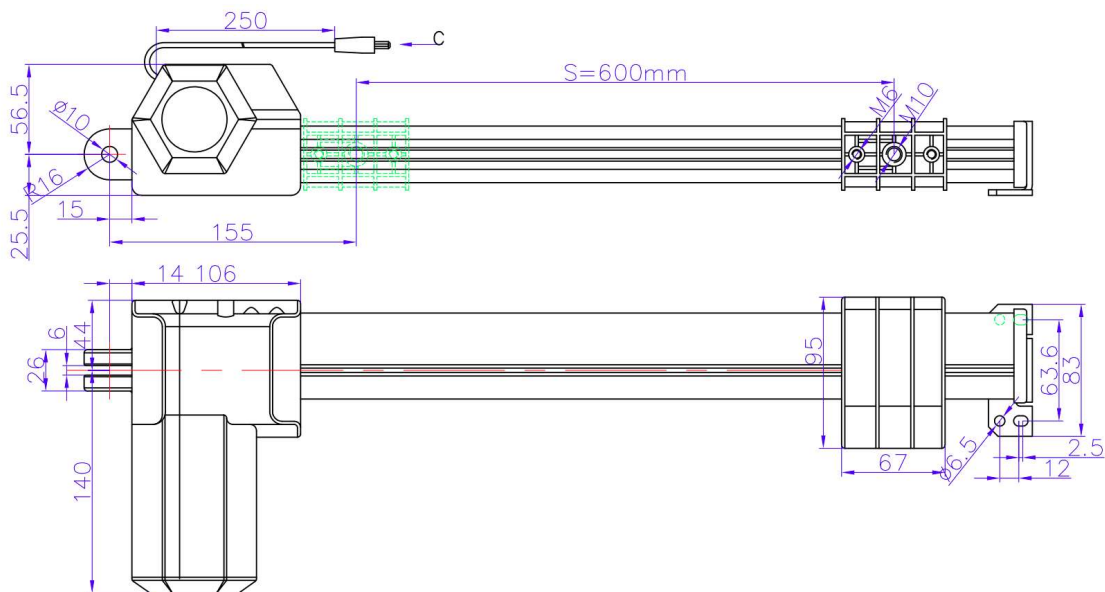
Force Data

- Max Load –4000N (400Kg) Push & 3000N (300Kg) Pull Standard
Other Force & Speeds can be custom ordered

Specifications

Item	Stroke	Max Push Force	Max Pull Force	No-Load Speed	Full Load Speed	Voltage	Current (Full Load)
LINACT-TRACK-600	600mm	4000N (400Kg)	3000N (300Kg)	5mm/s	4mm/s	24Vdc	2.5A

Dimensions:



Optional:

Control Box: 220Vac Input / 24Vdc Output including a Wireless Remote.