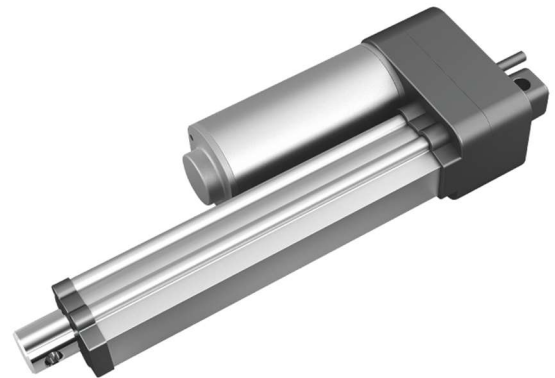


LINACT-10 Waterproof Linear Actuator

- Typical Applications: Solar Tracking, Industrial Equipment, Furniture, Sweepers, Campers, Instrument Aid Setting, Caravan, Louvers, Window Openers, Medical Beds, Etc.
- DC Permanent magnet motor
- Speeds from 6mm/s up to 18.9mm/s Full load
- Standard Stroke length: 50 – 400mm

Mechanical Data

- Operating temperature -30°C~+70°C
- Protection – IP67 (Standard) or higher
- Standard Voltage: 12, 24Vdc
- Built in Limit Switches
- Hall feedback Optional
- CE Certified



Force Data

- Max Load – up to 3 000N (300Kg) Push & Pull
- Duty Cycle 10%, continuous work for max 2 minutes with a pause of 18 minutes

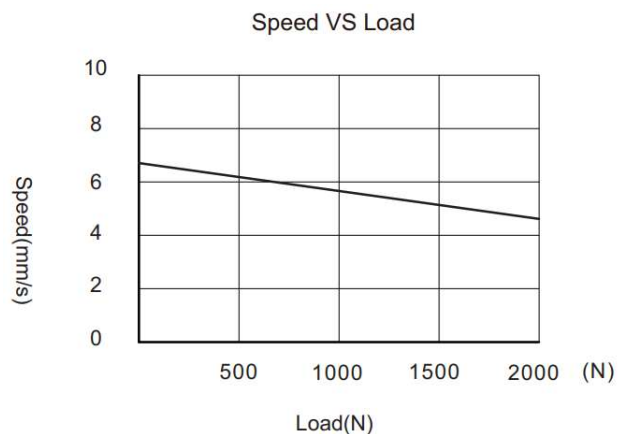
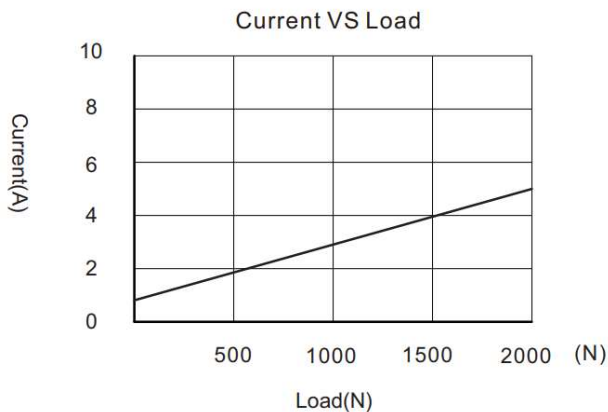
Transmission Parameters

Supply Voltage (Vdc)	Max Load Push (N)	Self-Lock Load (N)	Speed at No Load (mm/s)	Speed at Full Load (mm/s)	Current at Full Load (A)
12	2 000	2 000	6	4	5
24	3 000	3 000	8	5.5	4.2
24	2 000	2 000	14.2	8.4	4
24	1 000	1 000	18.9	14.6	3.2

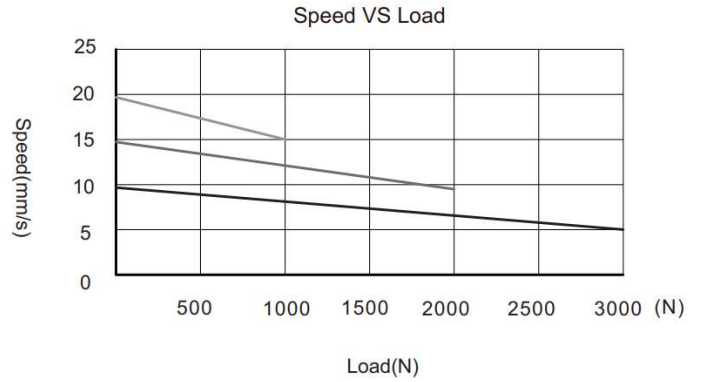
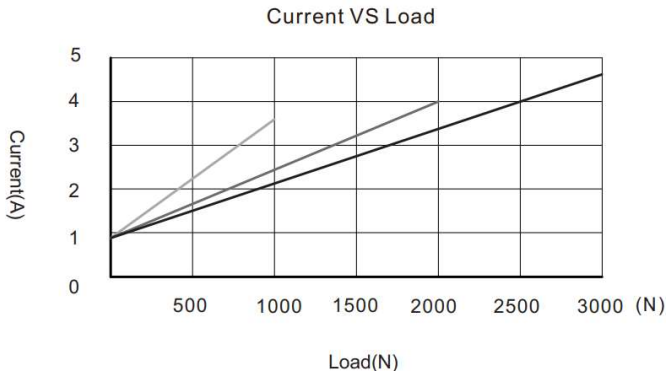
- When the actuator is not running, the motor should be short-circuit

Performance

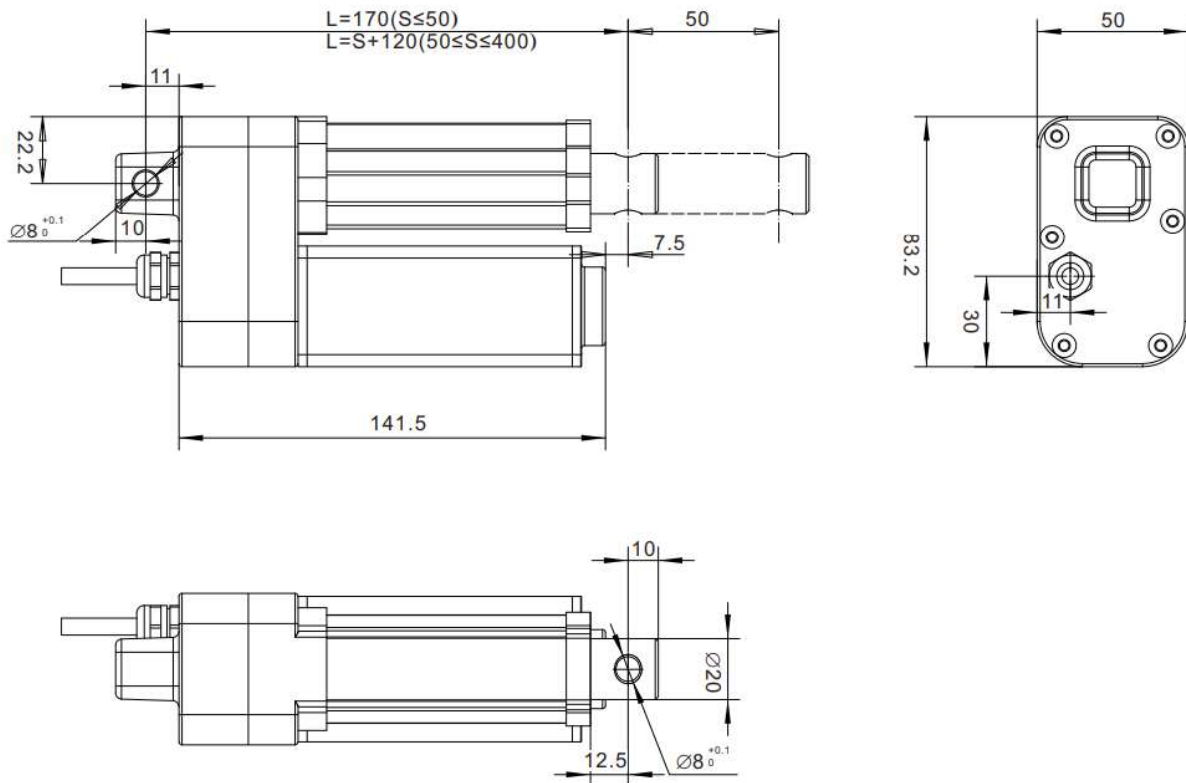
Performance Bata 12Vdc



Performance Beta 24Vdc



Dimensional Drawing



Dimensions		
Stroke Length	Fully Retracted	Fully Extended
50mm	170mm	220mm
100mm	220mm	320mm
150mm	270mm	420mm
200mm	320mm	520mm
300mm	420mm	720mm